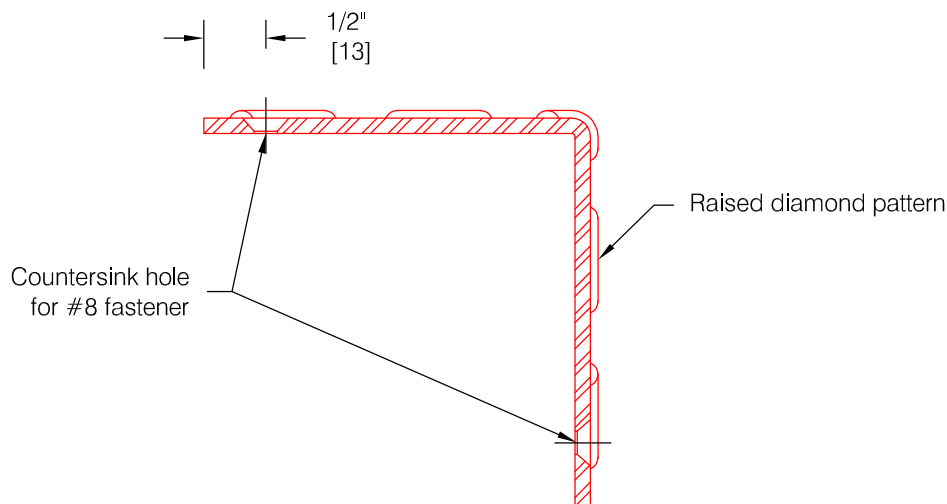
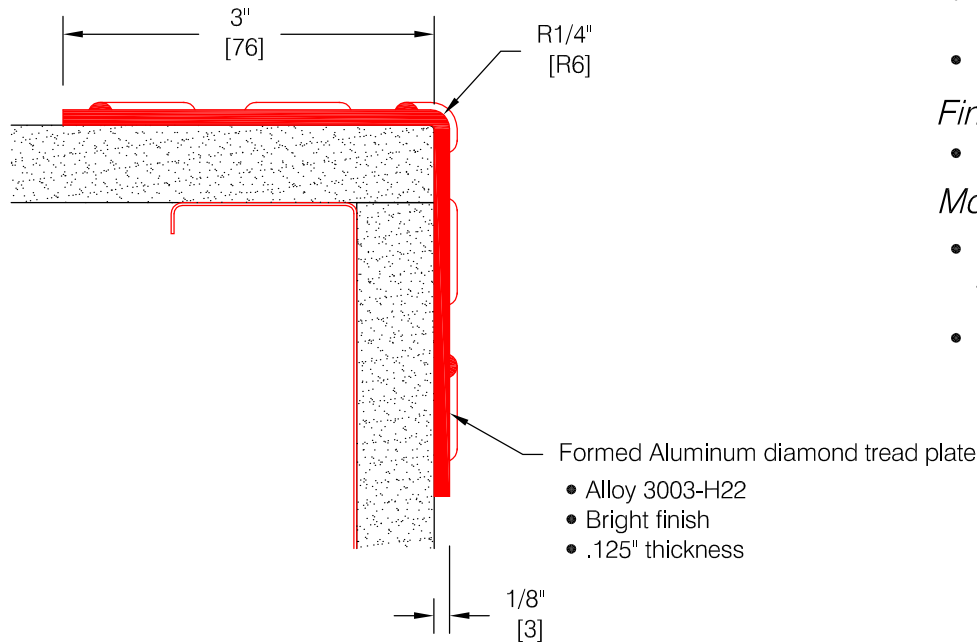


Defender Series 2341.2 - 3" x 90°



Optional Drilling:

- Standard spacing: 3" (76) from each end and spaced evenly not to exceed 36" (914) oc

Features:

- Alloy 3003-H22 Aluminum diamond tread plate
- Custom lengths, angles, and wing sizes are available
- Stock lengths: 4'-0" (1219) & 8'-0" (2438)

Finishes:

- Bright Finish

Mounting Options:

- Standard mounting Adhesive: ADH-50 adhesive supplied separately
- Optional mounting Drilled: Countersink holes for #8 fastener ABSS-113 #8 x 1 1/2" (38) oval head sheet metal screw or equivalent

