

# Protector Series 2210.1

## Features:

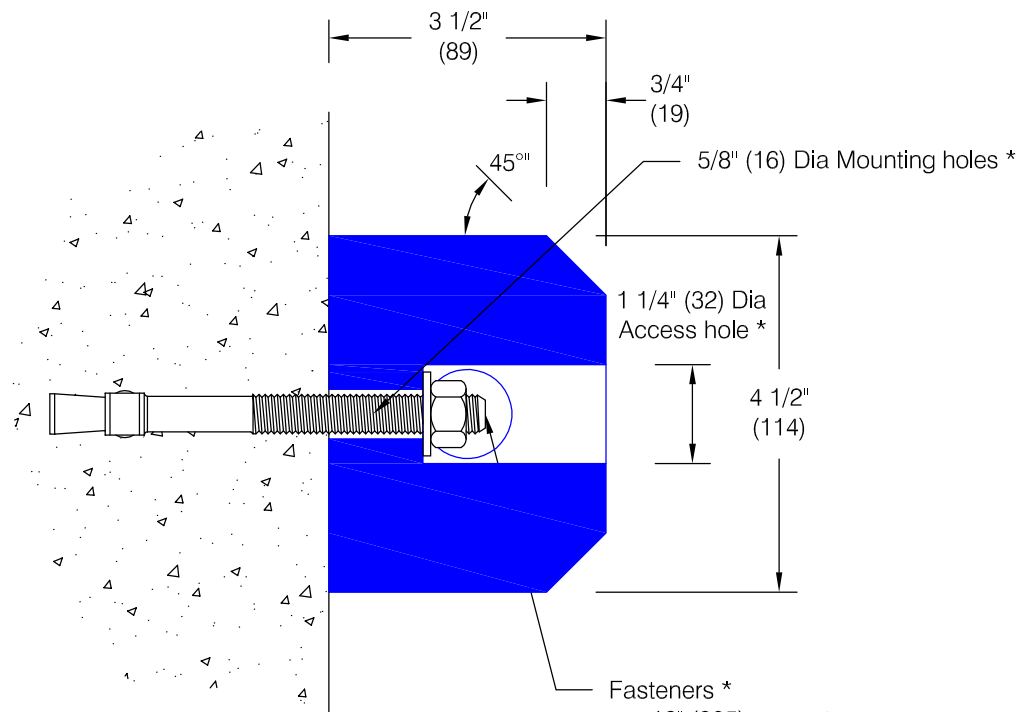
- Extruded EPDM rubber to RMA tolerances
- Durometer: (ASTM D-412) 70 ±5 shore A
- Tensile strength PSI: (ASTM D-412) 1,750 min.
- Elongation: (ASTM D-412) 395 min.
- Tear strength: (ASTM D-624) 229 lbs./in. Min.
- Impact resistance: (ASTM 2632) 75%
- Low temp brittleness: (ASTM D-746) -40 degrees F min.
- Ozone: (ASTM D-1171) 1142 hrs @ 102 degrees F; 20% strain - no cracks
- Deflection: (ASTM D-575) 60,000 ft./lbs. 60,000 ft./lbs. - 3" (76) with no ruptures
- Stock length: 10'-0" (3048)

## Optional Features:

- Drilled for hardware: Approximately 12" (305) on center Spacing from end varies as restricted by length
- Custom drilling available

## Standard Color:

- Black



- Fasteners \*
- 12" (305) on center
  - Supplied separately if required
  - Suggested concrete hardware: 1/2" (13) x 5 1/2" (140) Wedge bolt

\* Standard bumper is supplied undrilled and with no mounting hardware. Hole spacing shown for bumpers 48" (1219) and longer. Contact factory for hole spacing on lengths shorter than 48" (1219).

