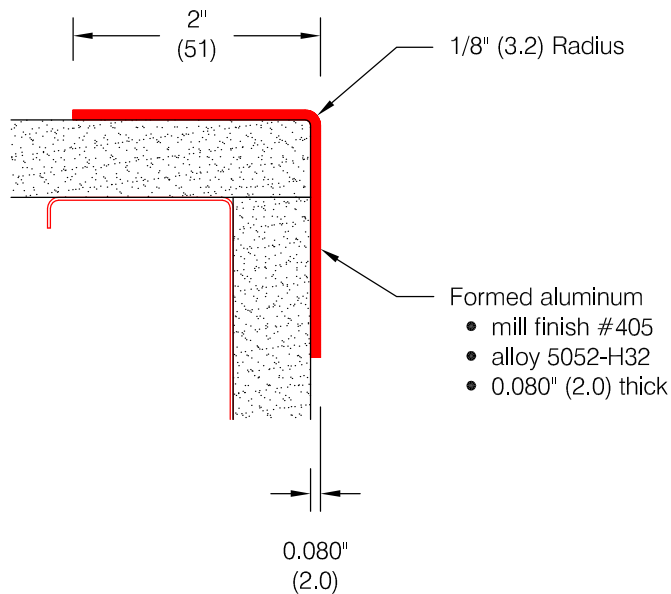


Defender Series 2340.1 - 2" x 90°

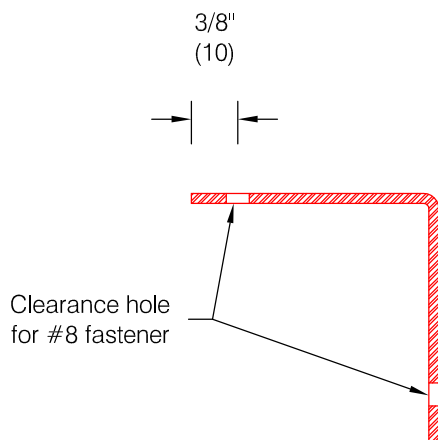


Features:

- Custom lengths, angles, and wing sizes are available
- Available for 135° corners (see WGDC.2340.4)
- Stock lengths: 4'-0" (1219) & 8'-0" (2438)

Mounting Options:

- Standard mounting Adhesive: Adhesive supplied separately
- Optional mounting Drilled: Clearance holes for #8 fastener #8 x 1 1/2" (38) oval head sheet metal screw and stainless cup washer supplied separately as required



Optional Drilling:

- Standard spacing: 3" (76) from each end and spaced evenly not to exceed 36" (914) oc

