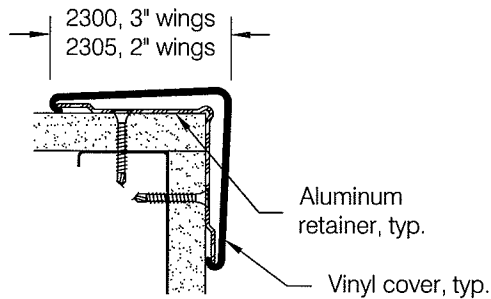
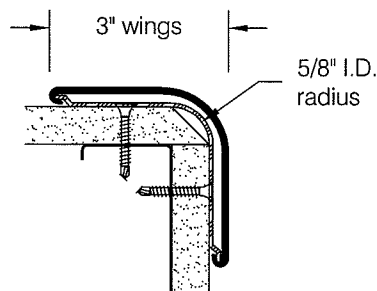


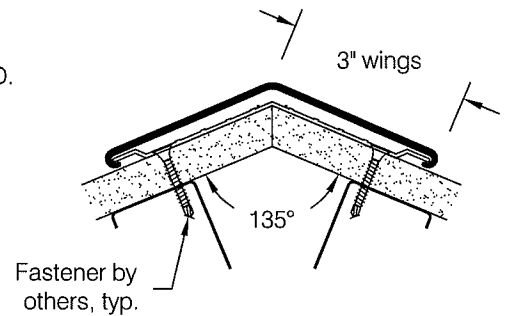
## Defender Series 2300, 2305, 2310, and 2315 Surface Mounted Corner Guards



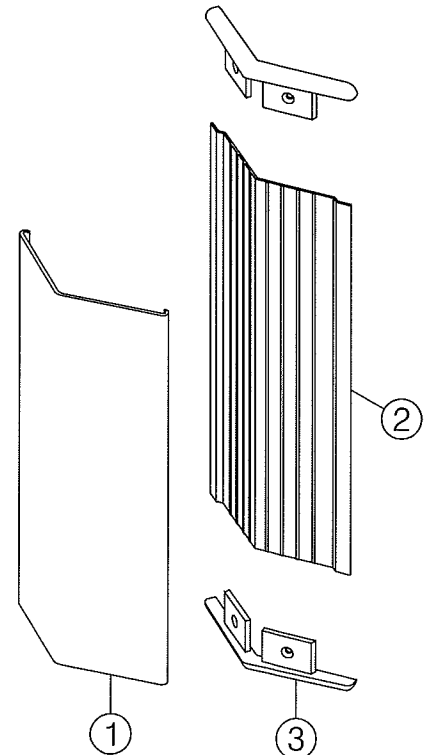
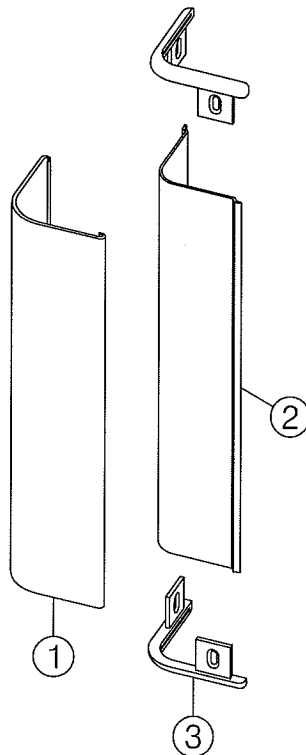
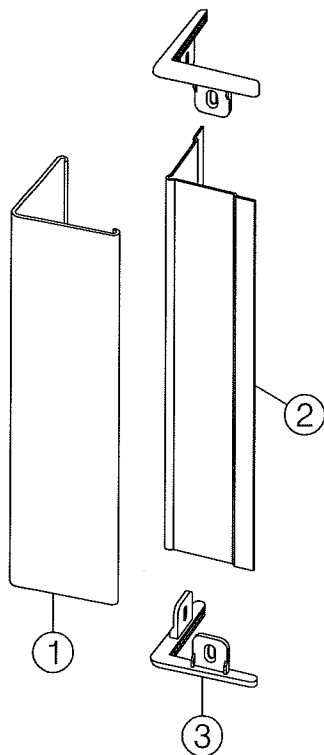
2300 and 2305



2310



2315



### Components:

- 1.) Snap on cover
- 2.) Aluminum retainer
- 3.) Closure Cap

**Step 1:** This series of corner guards is available with molded closure caps. While the installation of a cap at each end is considered standard these corner guards may also be installed with no caps or with a cap at either end, see **fig 1**.

*Note:* Both the aluminum retainer and snap on cover are pre-cut at the factory and require no further trimming. Refer to the **Cutting Adjustment Diagrams and Schedule** if it is necessary to alter the corner guard length. All cuts must be square and deburred.

**Important:** Store material in a clean dry place where the temperature is maintained above 50°F (10°C). Walls and rooms should be maintained at a minimum of 65°F (18°C) for at least 48 hours prior to installation. Acclimate materials to normal building conditions for at least 24 hours before cutting and installing.

**Step 2:** If installing on masonry pre-drill clearance holes in aluminum retainer for hardware listed below using a #15 (.180") bit for #8 fastener. Locate mounting holes at closure caps and along the retainer not to exceed 32" on center, see **fig 2**. If installing on gypsum wall with stud backing proceed to **step 3**.

**Step 3:** Position the aluminum retainer according to the number of closure caps to be used.  
*When using top and bottom caps or top cap only:* Locate the aluminum 5/16" below the desired overall height of the installed corner guard inclusive of closure caps, see **fig 3a**.

*When using a bottom cap only:* Locate the aluminum 5/16" above the desired overall bottom of the installed corner guard inclusive of closure cap, see **fig 3b**.

*When using no caps:* Locate the aluminum at the desired overall bottom of the installed corner guard, see **fig 3c**.

*Caution:* The aluminum retainer for all stock length corner guards is pre-cut to accommodate two closure caps regardless of whether or not they are actually used. As a result the aluminum may be supplied at a length shorter than the snap on cover. To ensure the correct mating of closure caps with aluminum retainer it is necessary to identify and follow the appropriate closure cap installation condition above.

**Important:** Always make sure there is adequate clearance between closure caps and adjacent construction. If no bottom cap is used the corner guard must contact a surface that will prevent the snap on cover from sliding out of position.

**Step 4:** Installation of 2315 requires a radius wall construction to accommodate the bullnose radius corner guard, see **fig 4**.

**Step 5:** Mount aluminum retainer to wall with the appropriate hardware according to wall construction. See **step 6** for fastening at closure caps.

*Drywall Installation:* Locate mounting holes at closure caps and along the retainer not to exceed 32" on center, see **fig 2**. If it is necessary to install fasteners in locations where there is no metal backing or stud use pre-drilled aluminum as a template to mark and drill wall for plastic Alligator® insert in accordance with instructions provided with hardware.

*Masonry Installation:* Using the pre-drilled aluminum as a template, mark and drill the wall at all pre-drilled holes to accept hardware listed below.

**Suggested hardware diameter and type :**

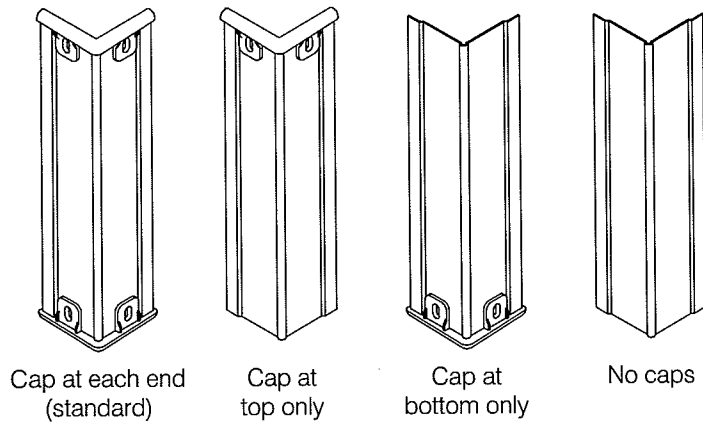
- Drywall with studs : #8 Drill point sheet metal or drywall screw.
- Drywall without stud or backing: Plastic Alligator® insert with #8 sheet metal or drywall screw. Drill in accordance with instructions provided with hardware.
- Masonry : Plastic Alligator® insert with #8 sheet metal or drywall screw. Drill in accordance with instructions provided with hardware.

**Suggested hardware head style :**

- To attach closure caps : Bugle head (drywall screw) or flat head
- To secure aluminum away from closure caps : Bugle head (drywall screw) or pan head

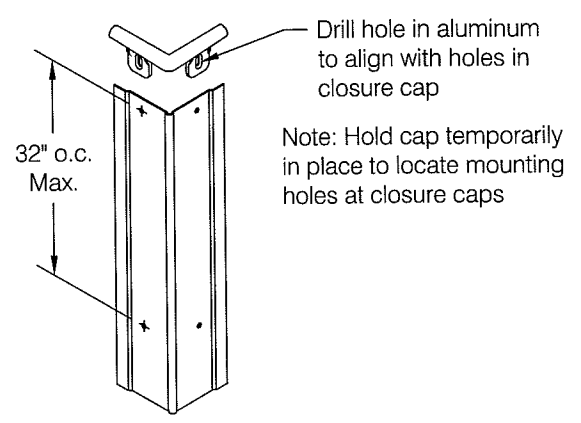
**Step 6:** Fasten closure caps in place using bugle head or flat head hardware selected in **step 5**. Hold cap firmly in place against aluminum while tightening.

**Step 7:** Snap extruded cover in place.



Cap at each end (standard)    Cap at top only    Cap at bottom only    No caps

fig 1



Drill hole in aluminum to align with holes in closure cap  
Note: Hold cap temporarily in place to locate mounting holes at closure caps

fig 2

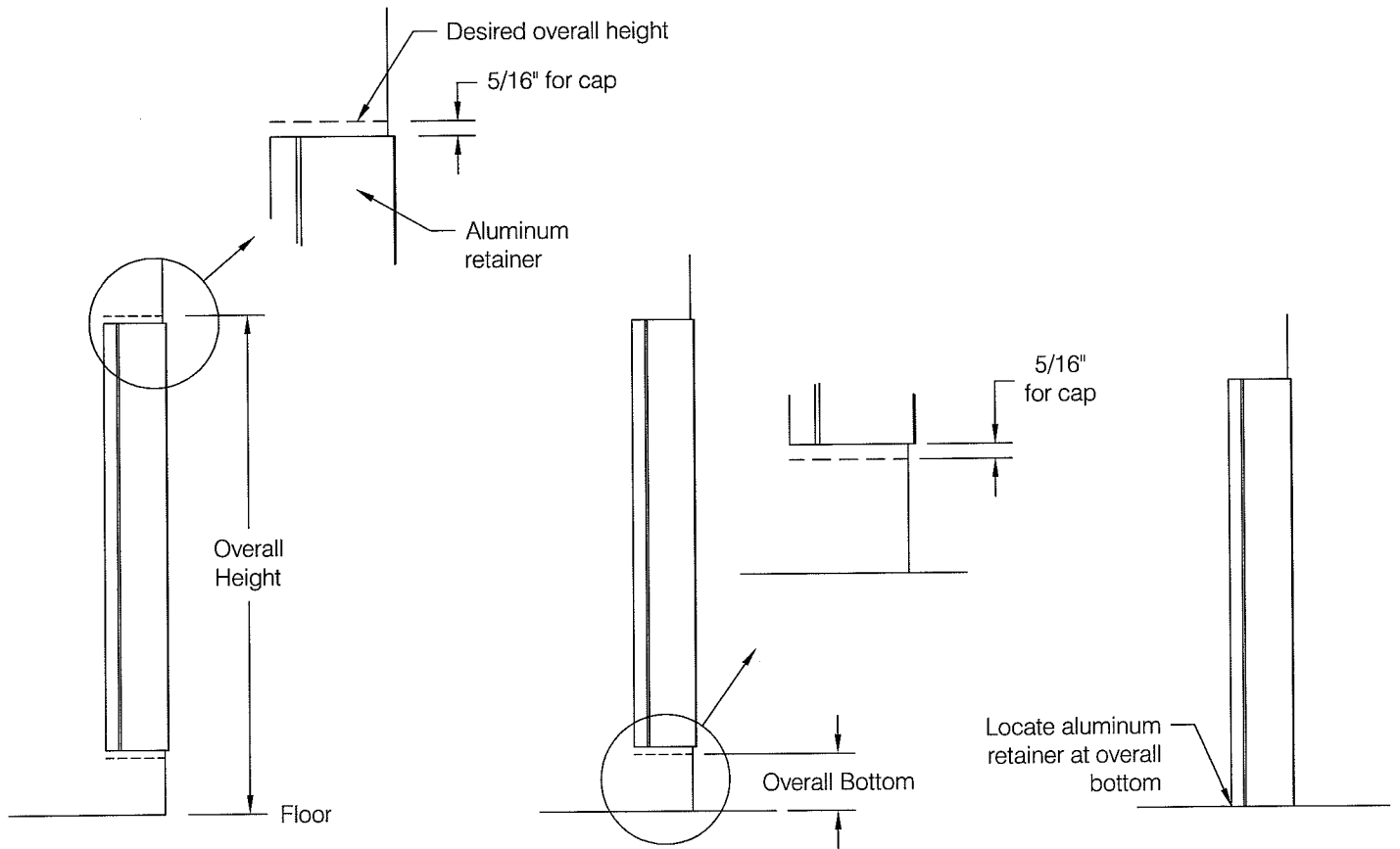


fig 3a

fig 3b

fig 3c

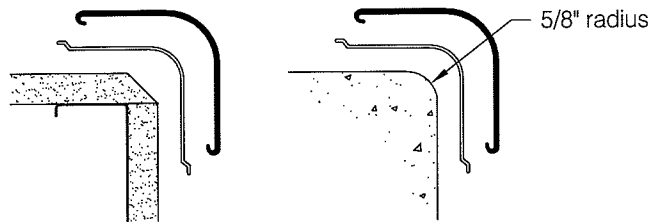
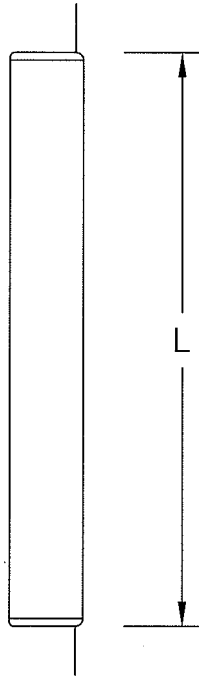


fig 4

WallGuard.Com reserves the right to discontinue a design or modify an existing design without prior notice

## Cutting Adjustment Diagrams and Schedule



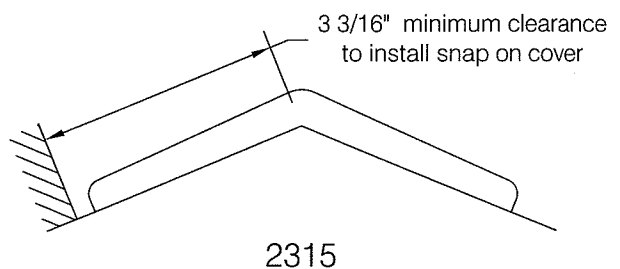
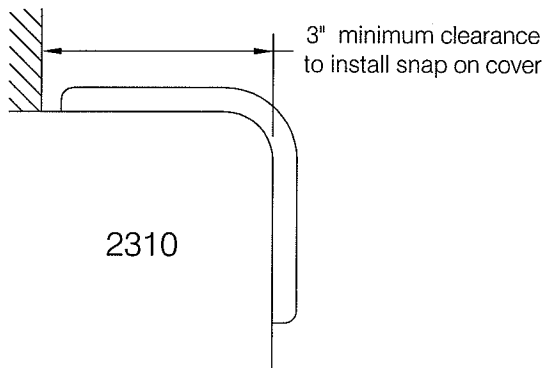
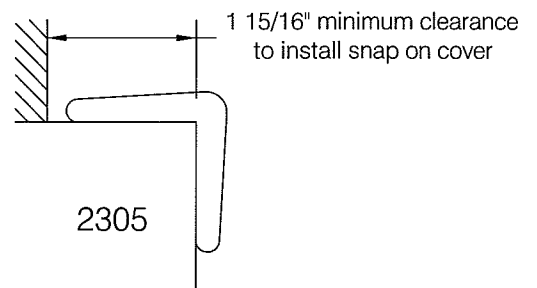
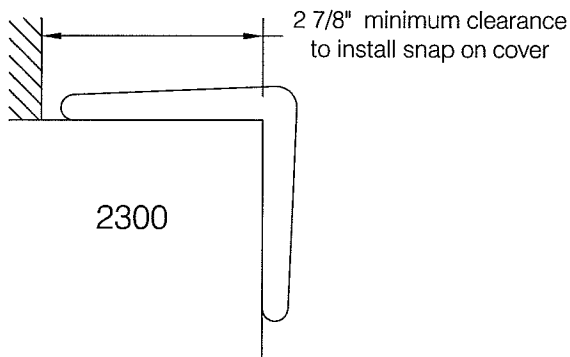
### Aluminum Retainer & Vinyl Cover

	Two Caps	One Cap (see note 1)	No Caps (see note 1)
<b>2300</b>	L - 5/8"	L - 5/16"	L - 0"
<b>2305</b>	L - 5/8"	L - 5/16"	L - 0"
<b>2310</b>	L - 5/8"	L - 5/16"	L - 0"
<b>2315</b>	L - 5/8"	L - 5/16"	L - 0"

**Note:**

1.) Cut length of aluminum for this condition may be less than cut length of cover. Aluminum length is acceptable at L - 5/8".

## Minimum Layout Configurations



WallGuard.Com reserves the right to discontinue a design or modify an existing design without prior notice