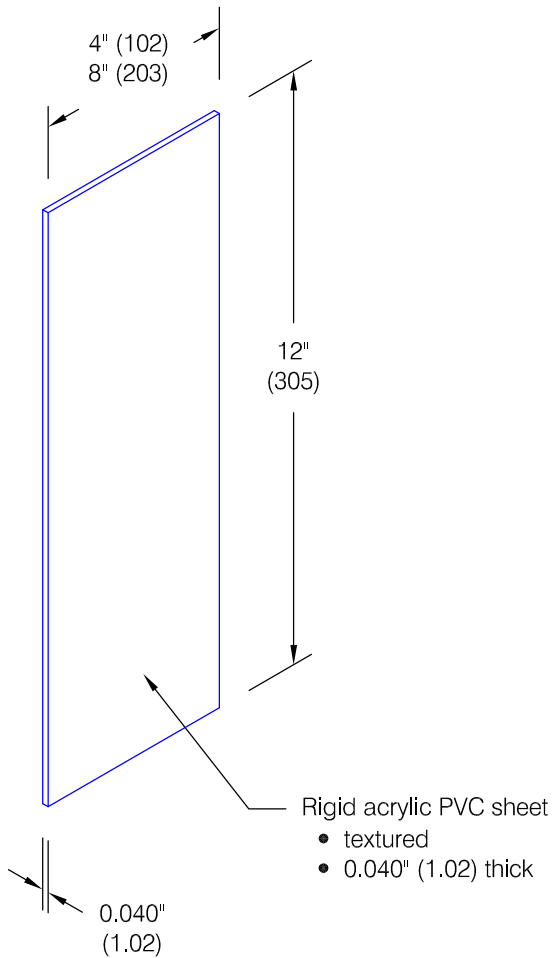


New Frontier Series 2420



Features:

- Class A fire rating
- NFPA-252 (UL10b) approved for use on 90 minute wood and 180 minute steel fire rated door assemblies

Finishes:

- Manufacturer's standard colors
- Custom colors available

Mounting Options:

- Adhesive
Adhesive supplied separately for use on metal and wood doors

