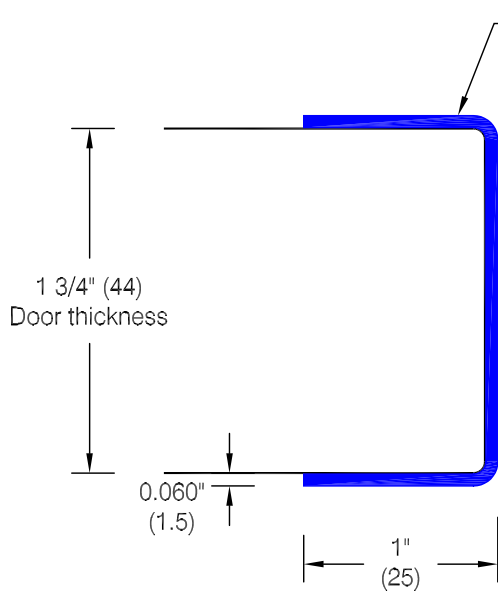


# New Frontier Series 2415 - 1 3/4"



Thermo-formed vinyl door edge guard

- 0.060" (1.5) thick
- textured

**Features:**

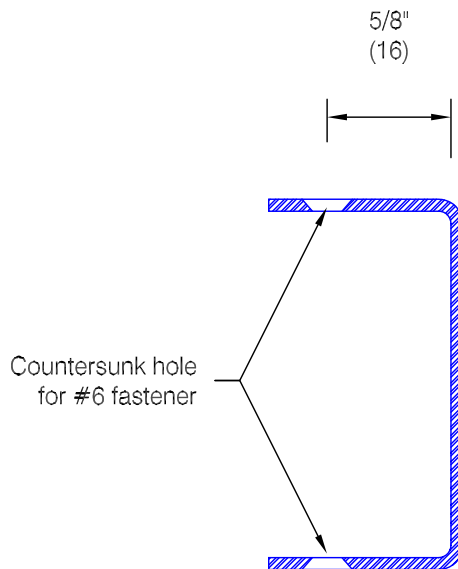
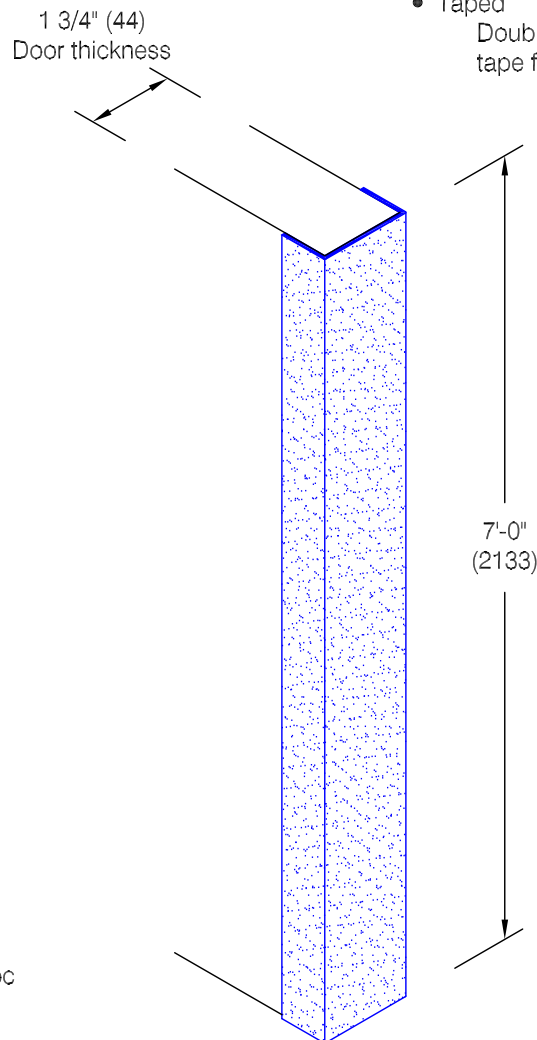
- Class A fire rating
- Stock lengths: 7'-0" (2133)

**Finishes:**

- Manufacture's standard colors
- Custom colors available

**Mounting Options:**

- Adhesive
  - Contact adhesive or Mastic adhesive supplied separately as required
- Drilled
  - Countersunk holes for #6 x 3/4" (19) oval head sheet metal screw supplied separately as required
- Taped
  - Double sided adhesive tape factory applied to edge guard



**Optional Drilling:**

- Standard spacing: 1" (25) from each end and spaced evenly not to exceed 36" (914) oc