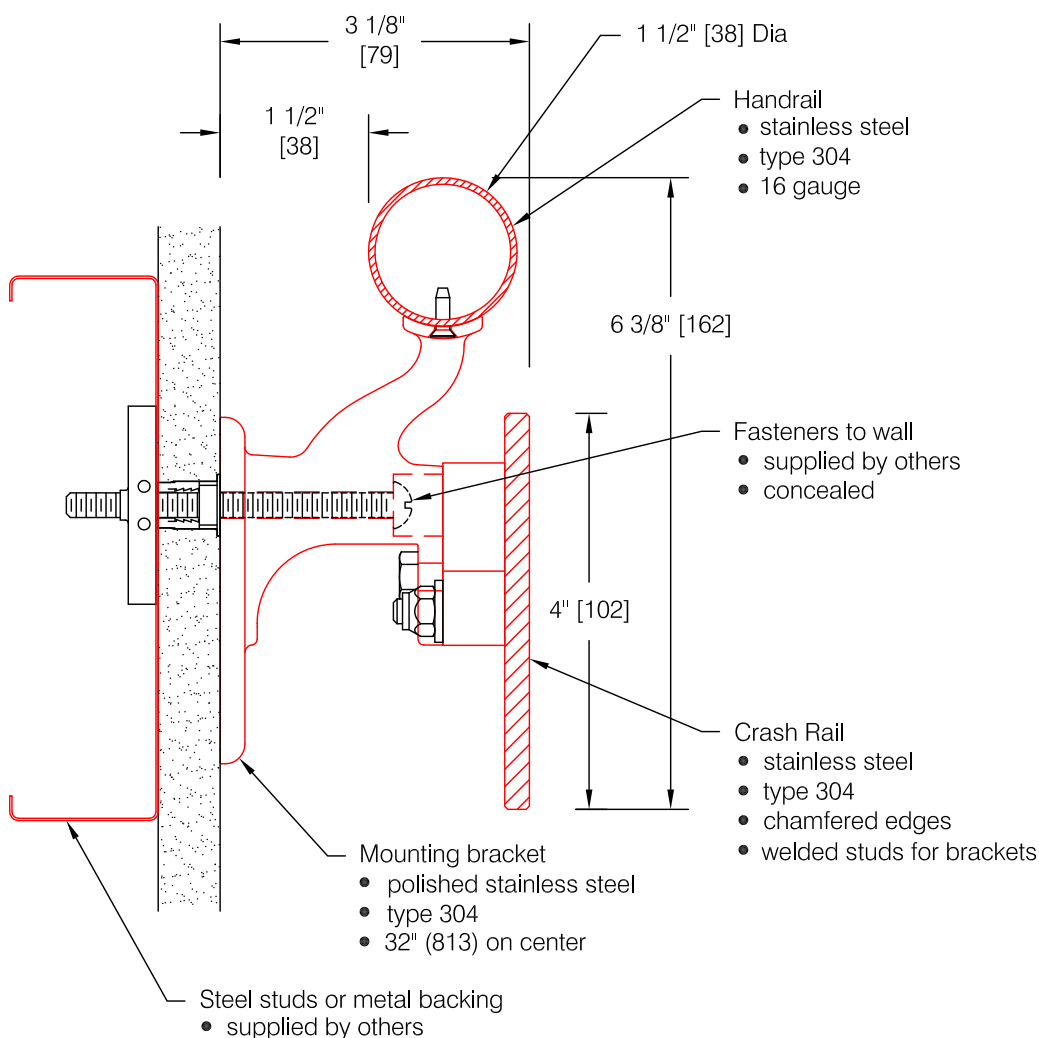


Opportunity Series 1024



Features:

Handrail

- Wall returns
- Inside/Outside corners
- Stainless mounting brackets
- Concealed wall mount fastening
- Stock lengths: 10'-0" (3048)

Crash Rail

- Prefabricated to field measurements
- Integral wall return and corner bends
- Blind welded mounting studs for attachment to wall brackets
- Available in aluminum with exposed mounting hardware

Finishes:

Handrail

- #4 Satin finish

Crash Rail

- #4 satin finish

Optional Bracket

- Powder coated aluminum
- Manufacturer's standard colors
- Custom colors available

