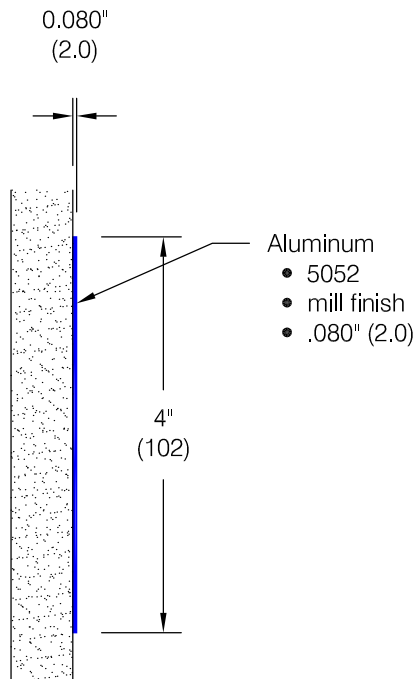


Protector Series 2462



Features:

- Aluminum 5052
- .080" (2.0)
- Standard widths available: 4", 6", 8"
- Stock length 8'-0" (2438)

Finishes:

- mill finish

Mounting Options:

- Adhesive
Contact adhesive or
Mastic adhesive supplied
separately as required
- Drilled
Clearance holes for
#8 x 1 1/4" (32) pan head
sheet metal screw supplied
separately as required
- Countersink Drilled:
Countersunk holes for
#6 x 3/4" (19) oval head sheet metal
screw supplied separately as required

