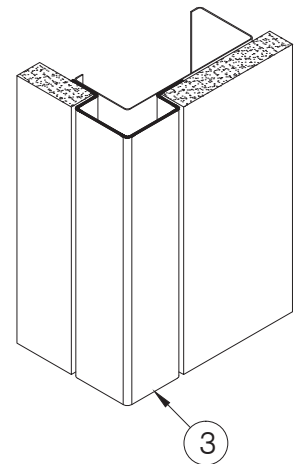
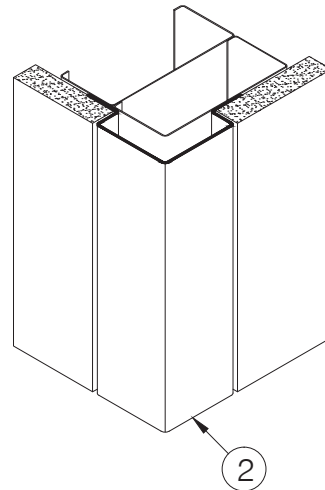
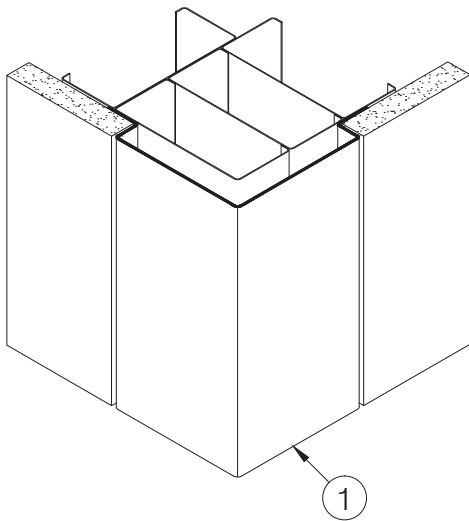
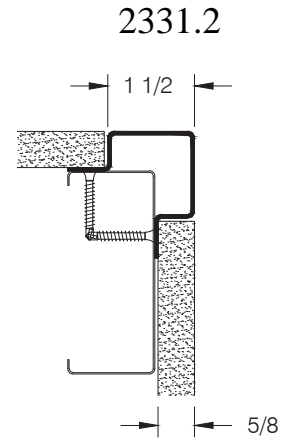
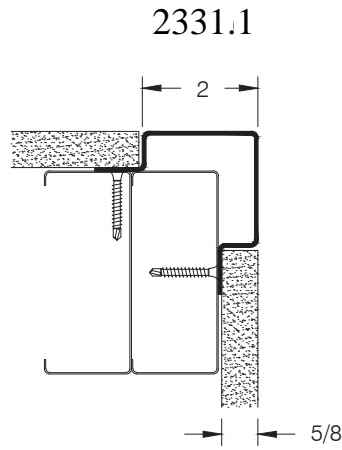
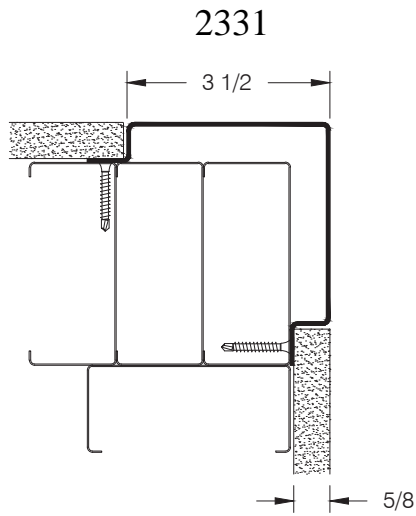


Flush Mounted Stainless Steel Corner Guards



Step 1: This series of corner guards is mounted directly to the wall studs using standard drywall or sheet metal screws prior to the mounting of the drywall.

Note: The corner guard is pre-fabricated at the factory and requires no further trimming.

Critical: If adhesive is also used this Product must be installed at a minimum of 65°F (18°C) to ensure proper adhesion. Walls and rooms should be maintained at a minimum of 65°F (18°C) for at least 48 hours prior to installation.

Step 2: Prepare the stud surface area by removing any loose particles and dust.

Important: If adhesive is used the surface to which the corner guard will be applied must be clean and free of dust, oils, adhesive residue, or any foreign material that might interfere with the adhesive bond.

Step 3: Select the mounting location and test fit the corner guard by holding it in place. Make sure there is no interference with adjacent construction and correct any problems that might interfere with obtaining full surface contact.

Step 4: Once the mounting location is confirmed, use any standard construction techniques for securing the corner guard to the studs through the provided holes.

Step 5: After the corner guards are installed, proceed with the installation of the drywall.

Step 6: Remove protective covering.

Flush Mounted Corner Guard Installation Instructions

