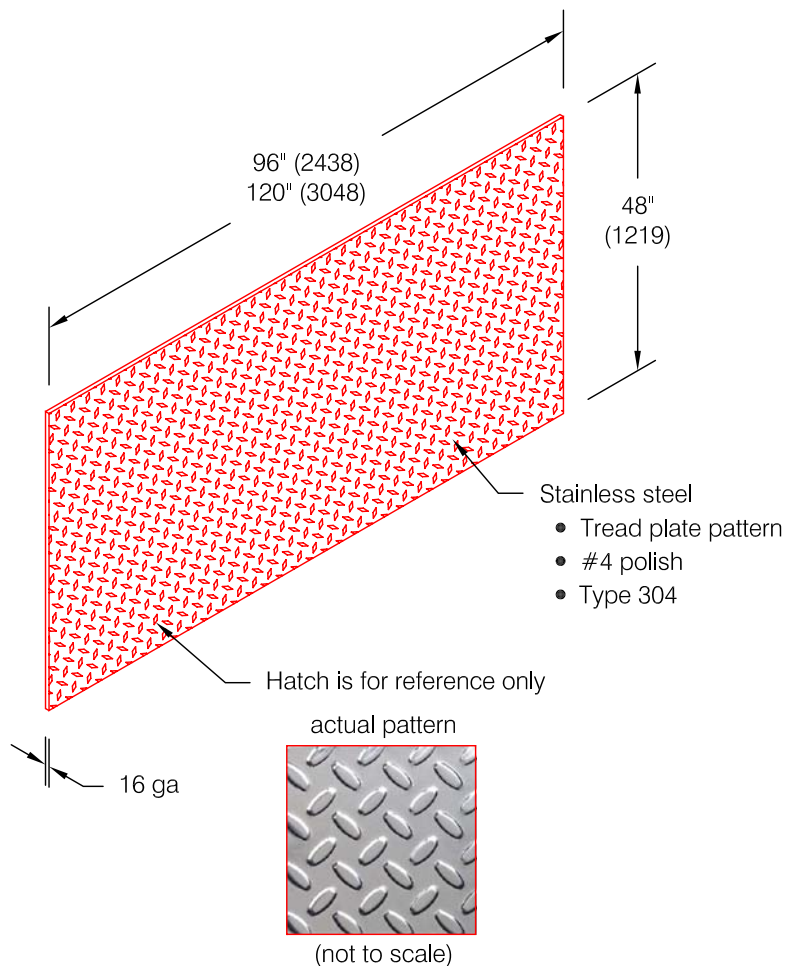


# Diamond Plate Series 2449.1



### Features:

- Type 304
- 16 gauge
- Standard sizes:
  - 4'-0" (1219) x 8'-0" (2438)
  - 4'-0" (1219) x 10'-0" (3048)
- Other thickness available
- Custom sizes are available (minimums apply)

### Finishes:

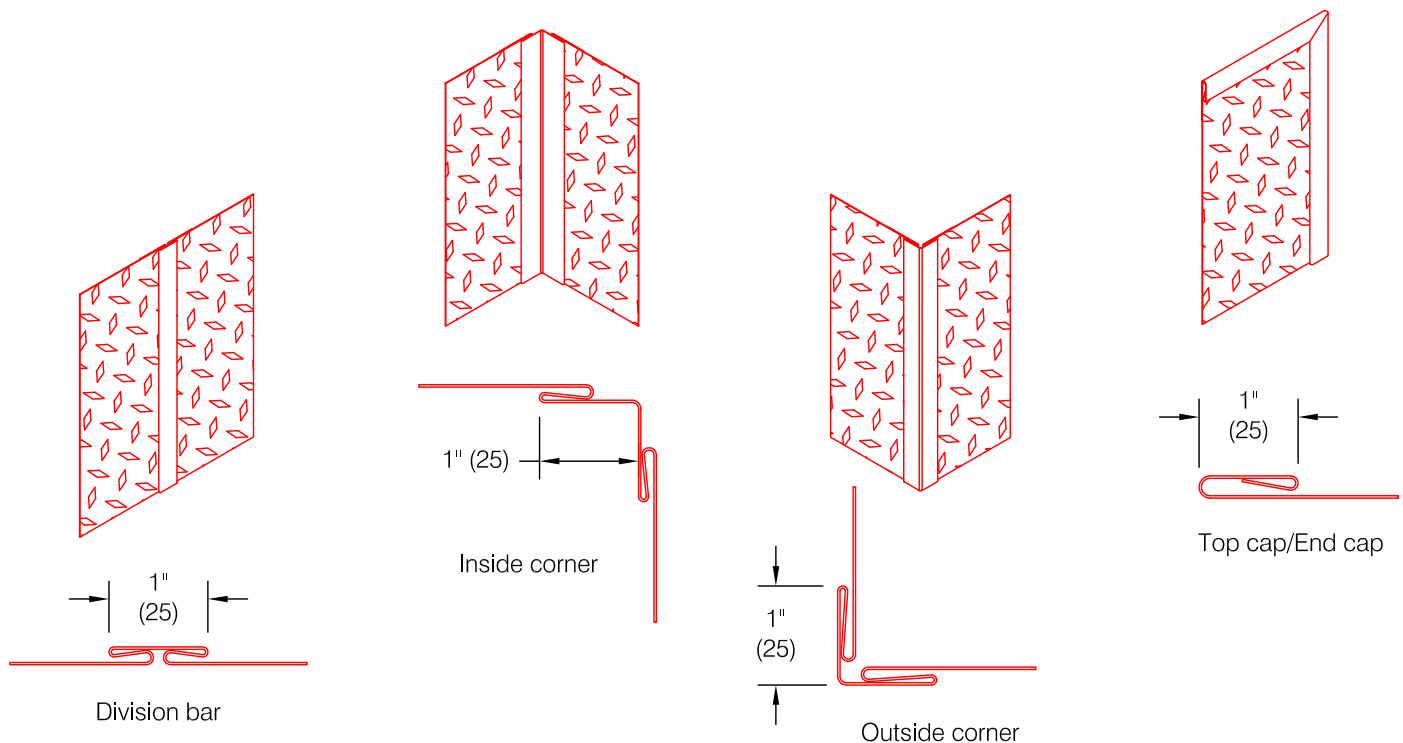
- #4 polish with deep textured (RTP) pattern

### Mounting Options:

- Standard mounting
- Adhesive:
  - Construction adhesive supplied separately
- Optional mounting
- Countersink Drilled:
  - Drilled and countersunk for #6 x 1 1/2" oval head sheet metal screw supplied separately

### Optional Accessories:

- Profile edge trim, 24 gauge, see details below



WallGuard.Com reserves the right to discontinue a design or modify an existing design without prior notice