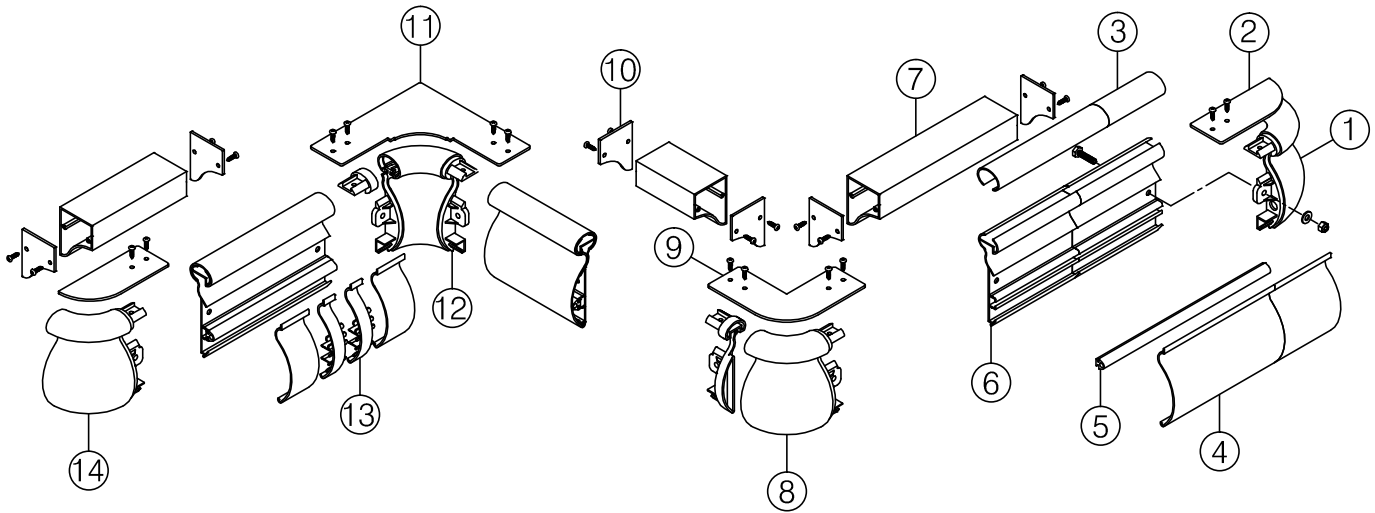
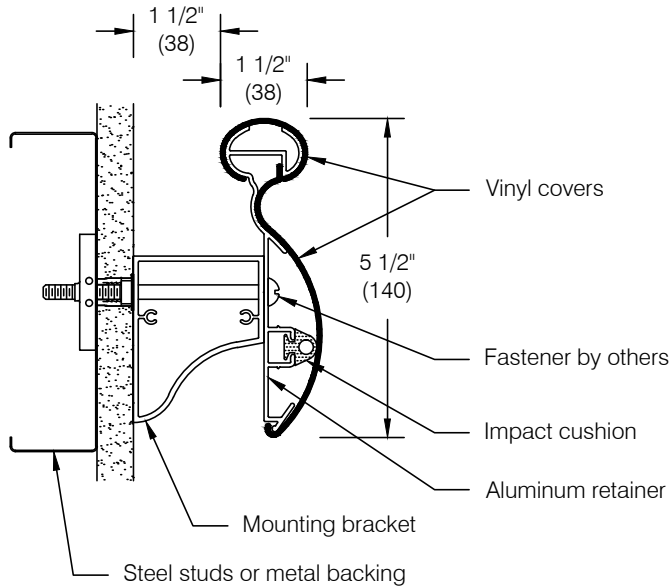


## Infinity Series 2032S

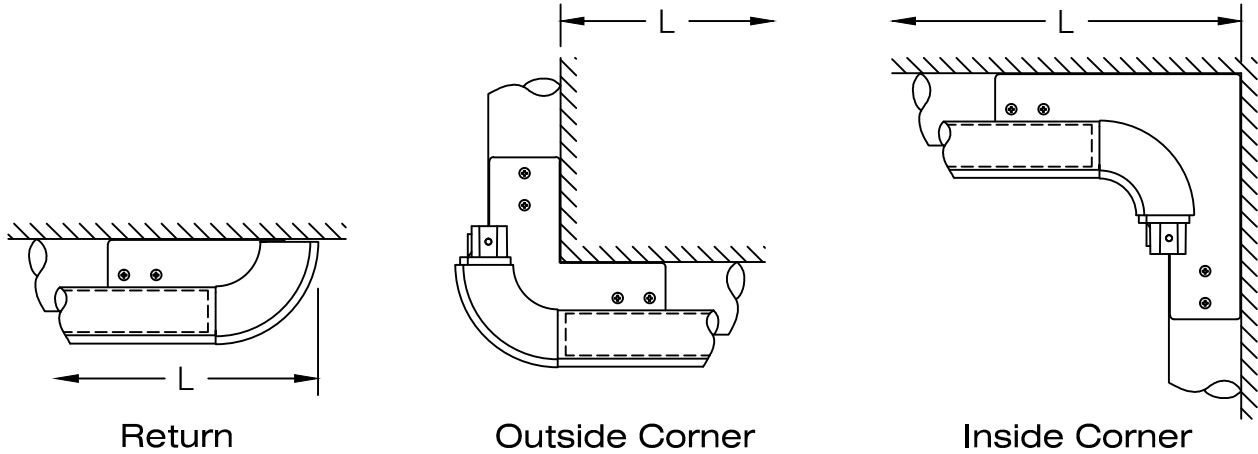


### Component Part Numbers:

- |                       |                                |
|-----------------------|--------------------------------|
| 1) Right return       | 9) Outside corner plate        |
| 2) Return plate       | 10) End plate                  |
| 3) Top vinyl cover    | 11) Inside corner plate        |
| 4) Base vinyl cover   | 12) Inside corner              |
| 5) Impact cushion     | 13) Vertical accent (optional) |
| 6) Aluminum retainer  | 14) Left return                |
| 7) Continuous bracket |                                |
| 8) Outside corner     |                                |

- Step 1:** Determine top of handrail and snap a chalk line 3" below for centerline of mounting hardware, see **fig 1**.
- Important:** Store material in a clean dry place where the temperature is maintained above 50°F (10°C). Walls and rooms should be maintained at a minimum of 65°F (18°C) for at least 48 hours prior to installation. Acclimate materials to normal building conditions for at least 24 hours before cutting and installing.
- Step 2:** Cut aluminum retainer and continuous security bracket. Bracket must be cut 1" shorter than retainer at all accessories. See **Cutting Adjustment Diagrams and Schedule** for adjustments to aluminum retainer and bracket length at wall returns, inside corners, and outside corners. Refer to **Minimum Layout Configurations** for additional information.
- Important:** All cuts must be square and deburred
- Step 3:** Layout aluminum retainer "face up", mark and drill bracket mounting hole locations.  
**Bracket mounting holes must be spaced:**
- Not to exceed 32" on center
  - 1 1/2" to 6" from end of aluminum retainer at returns and corner accessories
  - A minimum of 4" from end of retainer at splices to avoid interference with splice hardware (shown in **fig 9**)
  - To align with horizontal metal backer plate or metal studs (by others)
- Note:* Use groove in retainer to locate centerline for drilling, see **fig 2**
- Step 4:** Locate and drill bracket mounting holes in wall construction using the aluminum retainer as a template or by careful measurement. Choice of hardware will dictate hole diameter.
- Step 5:** Wall returns and corners are pre-assembled at the factory. If the friction fit assembly loosens during shipment, assemble wall returns by placing the groove in the handgrip mold over the raised "T" of the base mold with the open ends facing the same way, see **fig 3**. Rotate the two molds until the locking tab of the base mates with the receiver in the top, see **fig 4**. Use a similar technique to install the top on the base of an inside corner. Press fit inserts to form inside and outside corners as shown in **fig 5** and **fig 6**.
- Step 6:** Insert molded accessories into end of retainer, press firmly to ensure molded part is seated squarely against the retainer. Drill accessory mounting holes using the accessory as a template, see **fig 7**.
- Step 7:** Attach wall returns, outside corners and inside corners to retainer with accessory seated firmly and squarely while tightening. Fasten with 1/4" bolt, flat washer and nylon lock-nut provided.  
*Caution:* Do not use a lock washer, use flat washers only. Always place a flat washer between nut and molded tab. Tighten to 10 ft-lbs maximum torque, see **fig 8**.
- Important:** For proper installation a portion of the molded accessory must extend into the aluminum retainer. Use caution at corner conditions to ensure accessory is seated properly at both connections to aluminum before both retainers are fastened to the wall construction.
- Step 8:** Attach end plates to open ends of continuous bracket using #8-32 x 3/8" type F Phillips pan head screws included. Install end plates only at ends occurring at molded accessory locations, see **fig 10**.
- Step 9:** Mount continuous bracket and aluminum retainer (with molded accessories attached) to wall with the appropriate hardware according to wall construction. Install railing from one end of a section to the other. Do not start at each end and work toward the middle.
- Important:** Position inside and outside corner plates at each corner condition before attaching the second end of the corner accessory to the next section of retainer. Secure second end of corner accessories to aluminum retainer only after the corner plates have been loosely set in place. The corner plates are too wide to be set in place after the handrail has been mounted. Position the corner plates with the multi-cut corner away from the removable corner insert.  
**Suggested hardware:**
- Drywall: Toggler® brand toggle bolts
  - Masonry: Plastic Alligator® insert
- Step 10:** If optional ACC-600 vertical accents are being used snap fit them on aluminum retainer in locations desired. If accents are being used side-by-side slide them together after they are snapped in place so that the interlocking teeth pass under the next accent in sequence. The teeth will interlock properly only when all accents are aligned the same way, see **fig 11**.
- Step 11:** Measure between textured surfaces of wall returns, corner accessories, and vertical accents where used and cut vinyl covers to fit.
- Important:** All cuts must be square and deburred
- Step 12:** Install upper vinyl cover from the front back and then rotate into place while lifting upward to ensure cover is up as far as it will go, see **fig 12**. Install lower vinyl cover by inserting tab behind the installed upper cover and rotating into place until hook snaps over the lowest portion of the retainer see **fig 13**.

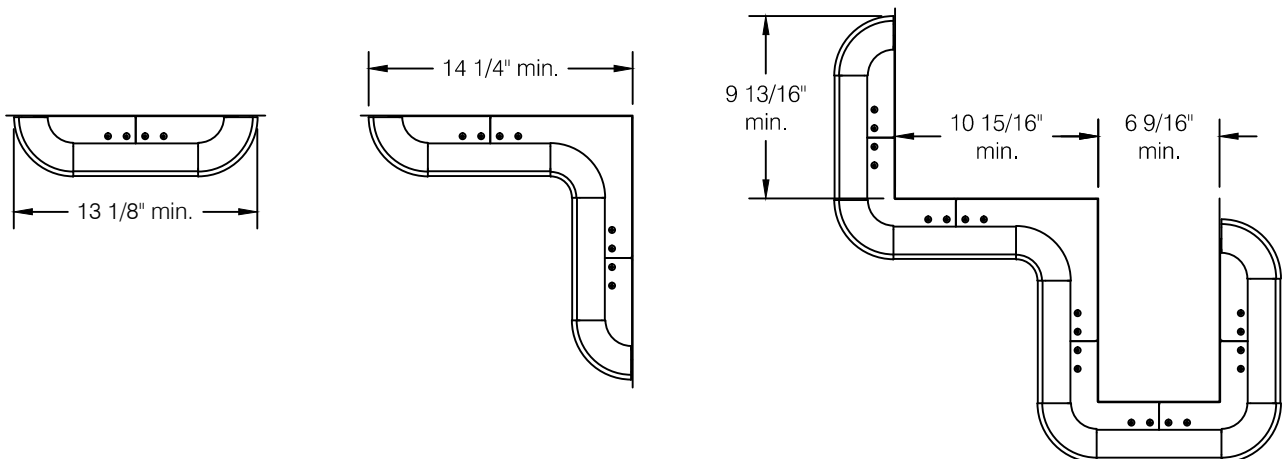
### Cutting Adjustment Diagrams and Schedule



|                | Continuous Bracket | Aluminum Retainer | Snap-on Base | Snap-on Handrail |
|----------------|--------------------|-------------------|--------------|------------------|
| Return         | L - 4 3/8"         | L - 3 1/8"        | L - 3 1/4"   | L - 3 1/4"       |
| Outside Corner | L - 1 1/4"         | L - 0"            | L - 1/4"     | L - 1/4"         |
| Inside Corner  | Miter              | Miter             | Miter        | Miter            |

Important: install aluminum retainer, continuous bracket and molded accessories before cutting the snap-on cover.

### Minimum Layout Configurations



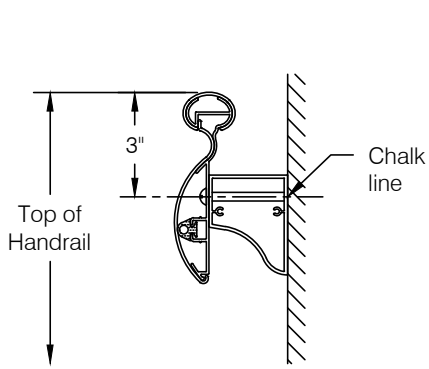


fig 1

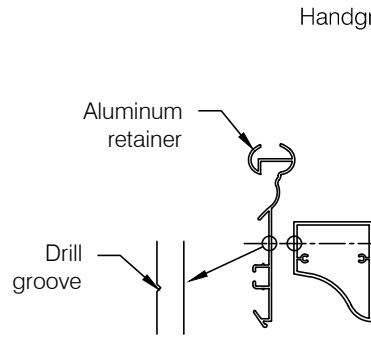


fig 2

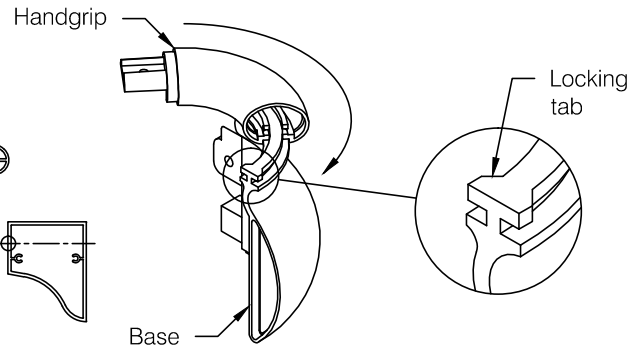


fig 3

fig 4

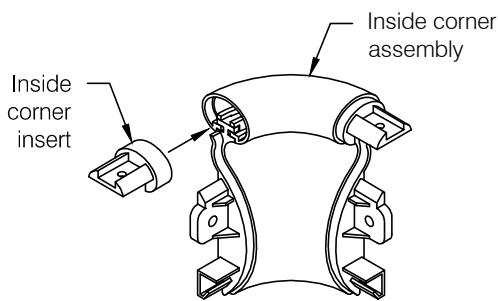


fig 5

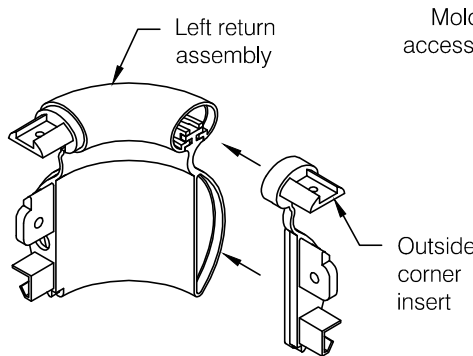


fig 6

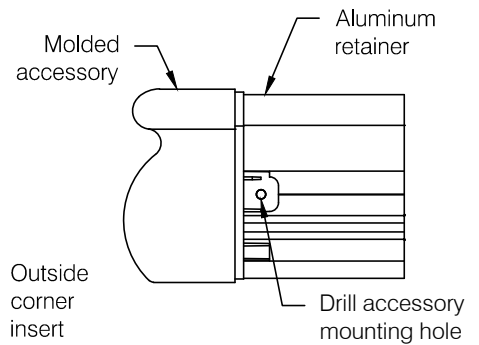


fig 7

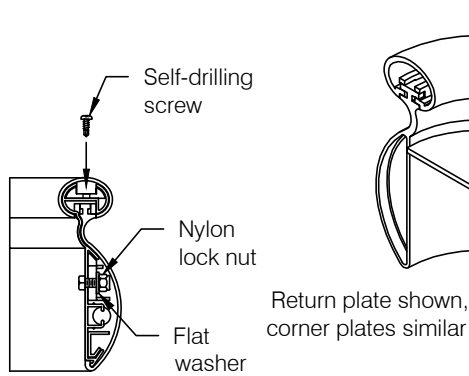


fig 8

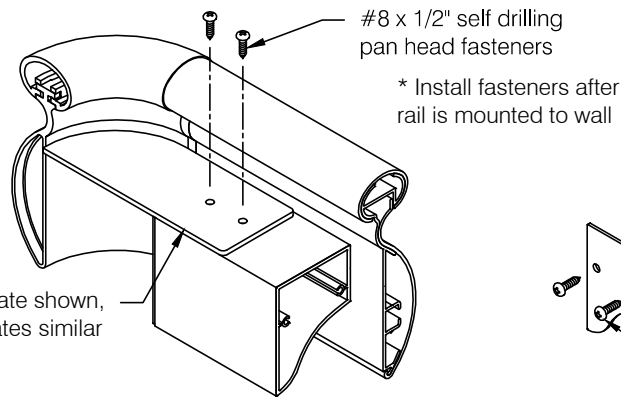


fig 9

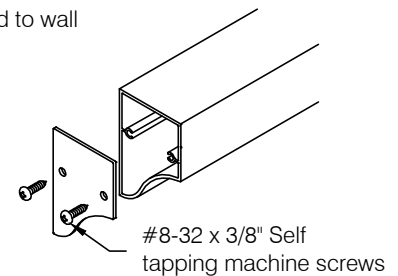


fig 10

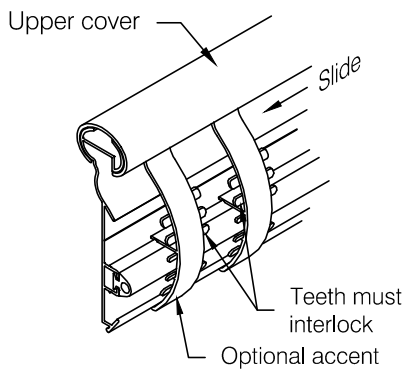


fig 11

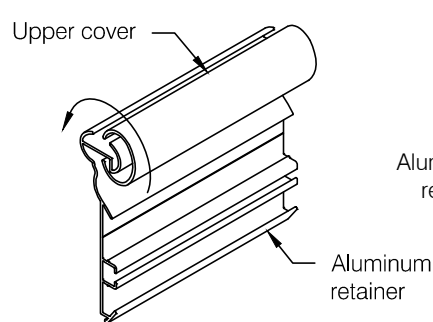


fig 12

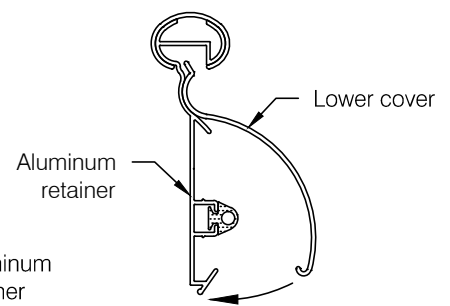


fig 13