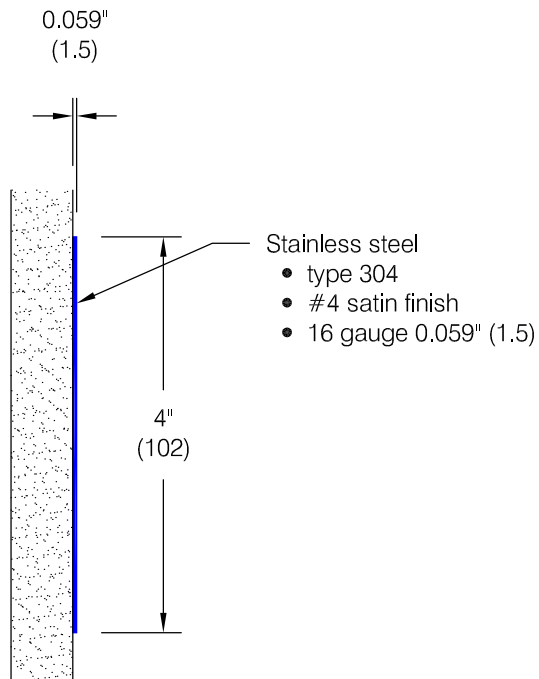


# Protector Series 2461



### Features:

- Type 304 stainless
- 16 ga., 18ga. available
- Standard widths available: 4", 6", 8"
- Stock length 8'-0" (2438)

### Finishes:

- #4 satin finish

### Mounting Options:

- Adhesive  
Contact adhesive or  
Mastic adhesive supplied  
separately as required
- Drilled  
Clearance holes for  
#8 x 1 1/4" (32) pan head  
sheet metal screw supplied  
separately as required
- Countersink Drilled:  
Countersunk holes for  
#6 x 3/4" (19) oval head sheet metal  
screw supplied separately as required

