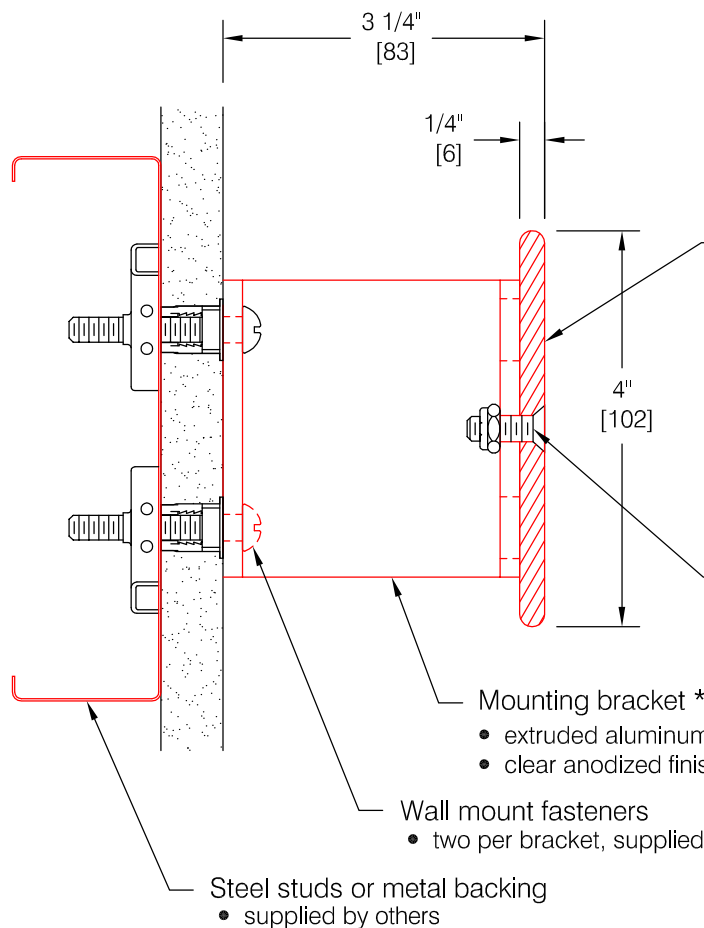


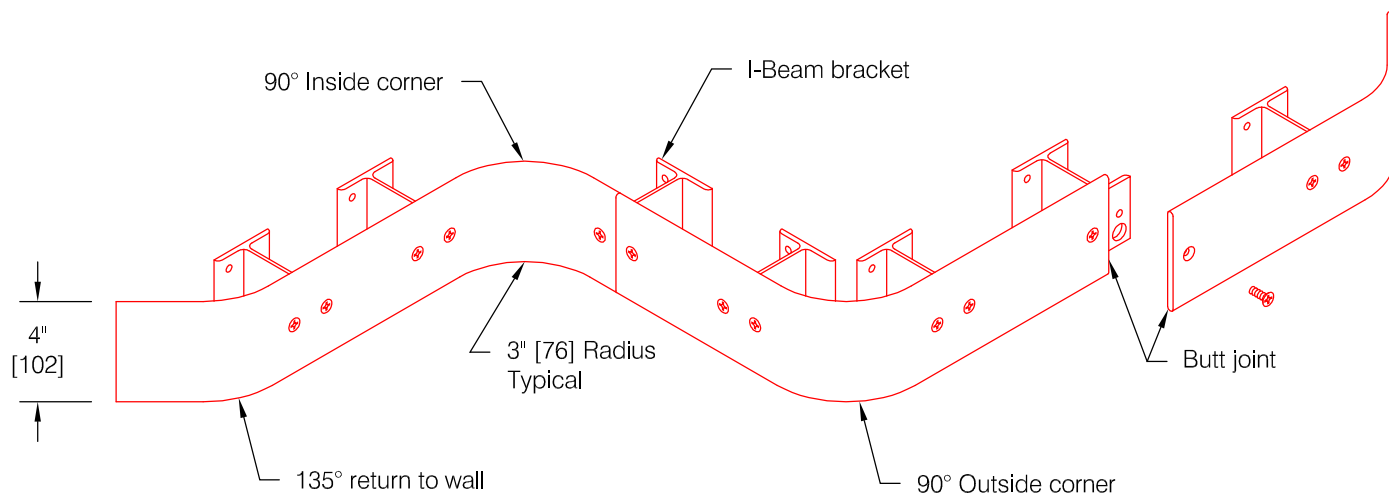
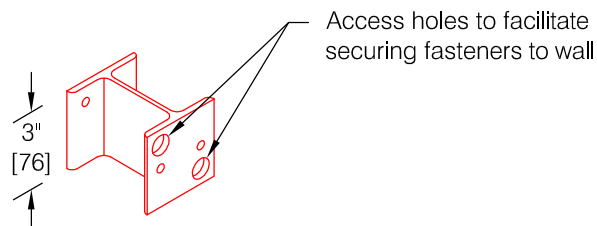
Protector Series 2180

Features:

- Prefabricated to field verified measurements
- Factory formed 3" radius wall returns and corners
- 12'-0" maximum length without butt-joints
- Corners factory formed to accommodate angles other than 90°
- Bracket standoff 3" standard (as shown)
1 1/2" and 2" standoffs are available



- extruded aluminum, alloy 6061-T6
 - clear anodized finish
 - 120 grit finish on outward surface
 - predrilled and countersunk for bracket hardware
- * Nominal bracket spacing 32" on center. Actual bracket spacing will vary according to jobsite conditions. Maximum spacing not to exceed 48" (1219).
- machine screw, 1/4-20 x 3/4", flat head, stainless steel
 - nylon insert lock nut, stainless steel



WallGuard.Com reserves the right to discontinue a design or modify an existing design without prior notice