

Defender Series 2335 - 2 1/2" Bullnose

Features:

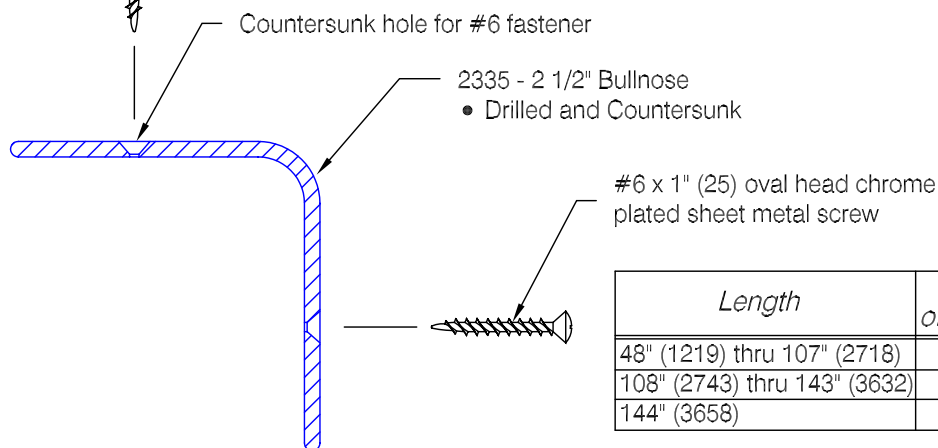
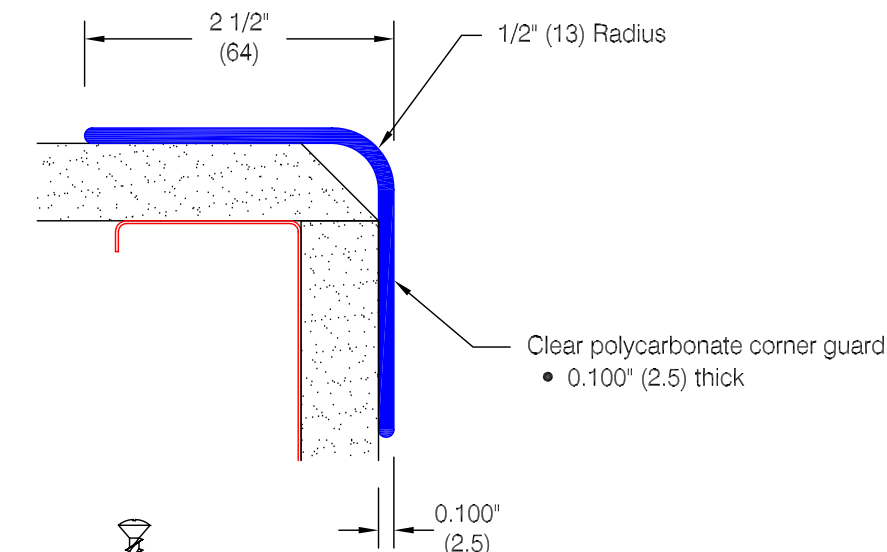
- Extruded Polycarbonate
- U/L 94 Flammability:
 - V-2 @ 0.125
 - V-2 @ 0.0625
 - V-0 @ 0.2500
- Stock lengths 4'-0" (1219) and 8'-0" (2438)
Custom lengths available
- Mechanical fasteners

Finishes:

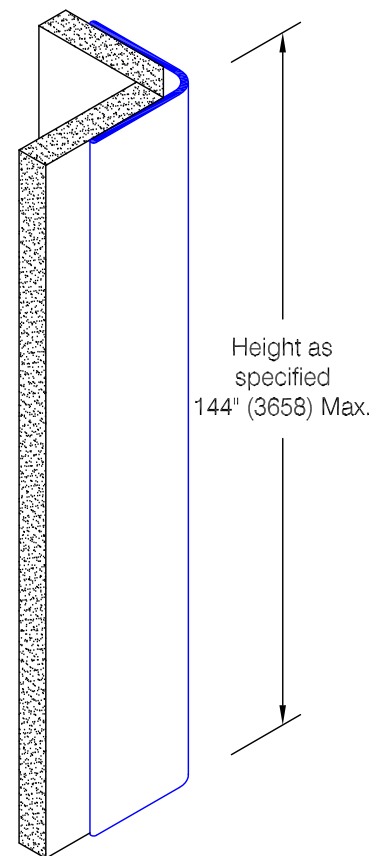
- Clear smooth finish
- Manufacturer's standard colors (optional)

Mounting Options:

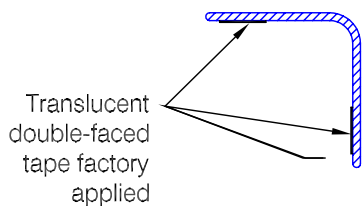
- Double-faced tape
- Undrilled (fastening method by others)



Length	Total # of Screws
48" (1219) thru 107" (2718)	6
108" (2743) thru 143" (3632)	8
144" (3658)	10



Standard Screw Mounted



Optional Tape Mounted

