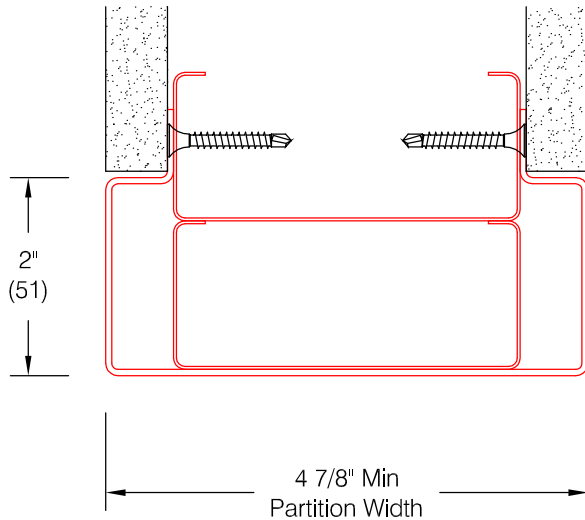


Defender Series 2331B.1 Endwall



Formed stainless steel

- type 304
- #4 satin finish
- 16 gauge 0.059" (1.5)

Features:

- Stock lengths: 4'-0" (1219) & 8'-0" (2438)
- Type 304 stainless
- Custom lengths, partitions widths and wing sizes are available

Mounting Options:

- Standard mounting
Drilled:
Clearance holes for #8 fastener
- Optional mounting
Adhesive:
Adhesive supplied separately

